

Fibre Optic Assemblies & Components

MTP LGX 1U Sliding Patch Panel



Linxcom pre-terminated fibre systems provide rapid fibre deployment at an extremely cost effective, expandable and high speed solution.

The 1U MTP sliding patch panel is split into 2 compartments; a sealed pre-terminated section and a cable management section for any excess cable. This helps ensure a neat and tidy installation and prevents accidental disconnections.

The panel offers users up to 72 LC duplex or 36 SC simplex ports in one panel.

MTP pre-terminated cables enter the back of the panel and the excess cable is wound around the convenient cable retainers.

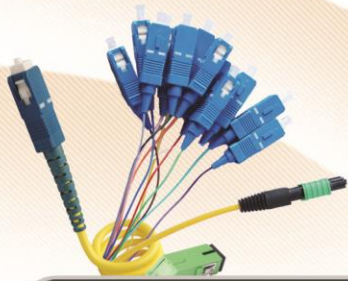
Pre-terminated MTP connectors plug into port bulkheads at the rear of the LGX modules. Fan-out cables inside the module split to either LC or SC ports.

Features & Benefits

- Utilises high density MTP connectors
- Sliding telescopic rails for easy installation and maintenance
- Cable management compartment
- Multimode and Singlemode options
- Reduces installation time and cost
- Ideal for use with MTP pre-terminated cables
- Holds 3 LGX modules
- 12 and 24 LC duplex or 6 and 12 SC simplex LGX modules
- Terminated in a quality controlled factory

Technical Specifications

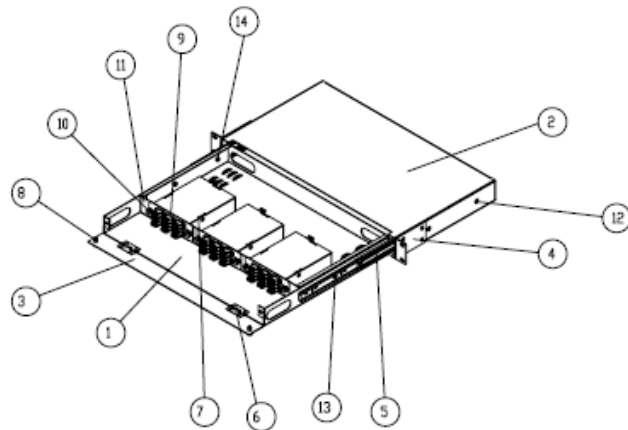
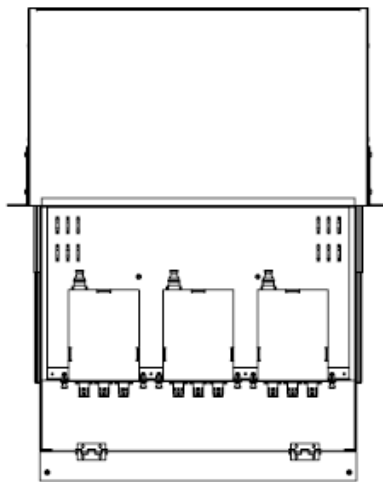
Cable Entries	2
Material Coating	Powder
Colour	RAL 9004
Material	1.2mm cold-rolled steel
Width	482mm
Depth	395mm
Height	1U (44.5mm)
Capacity	Up to 72 LC or 36 SC ports
IP Rating	20
Operating Temperature	-40°C to +50°C
Accordance	TIA/EIA 568.C, ISO/IEC 11801, ENS50173, IEC60304, IEC61754, EN297-1
Compliance	RoHS, Reach/SVHC



Fibre Optic Assemblies & Components

MTP 1U Patch Panel

Technical Drawings



Ordering Information

Using the available configurations amend/create product codes using the formula below.

Height		Adapter Type		Fibre Type	
1U	1UMTP	SC	SC	Singlemode Loaded	SM
		LC	LC	Multimode Loaded	MM
				Singlemode APC Loaded	SMA
1UMTP	LGXSP	SC	SX	SMA	36
Panel Style		Simplex / Duplex / Quad		Port Density	
LGX Sliding Patch Panel	LGXSP	Simplex (<i>SC Only</i>)	SX	1-72 Ports	01-24
		Duplex (<i>LC Only</i>)	DX	<i>(SC 1-36 Ports Only)</i>	

Example: **1UMTPLGXSPSCSX SMA36** - 1U MTP LGX Sliding Patch Panel SC/APC Simplex 36 Port

Product Code	Description
1ULGXSPCHASSIS	1U LGX Sliding Patch Panel Empty Chassis
MTPLGXMSCSX6	MTP LGX Module – SC Simplex 6 Port
MTPLGXMSCSX12	MTP LGX Module – SC Simplex 12 Port
MTPLGXMLCDX12	MTP LGX Module – LC Duplex 12 Port
MTPLGXMLCSX24	MTP LGX Module – LC Duplex 24 Port

For any queries, please contact the Linxcom team using the details below.