



Fibre Management

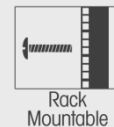
4U LGX Modular Patch Panel Chassis



Linxcom LGX Modular Patch Panel Chassis 4U is designed to mount various equipment compatible with the LGX Format such as MPO/MTP, as well as regular patching SC, LC modules.

Features & Benefits

- Holds 12 LGX cassettes
- Holds up to 288 fibres
- Designed for 19 inch cabinets and racks
- Universal modular design with snap in latch for easy installation and maintenance
- Pull-out cable management tray
- Front and rear access opening
- Equipped with metal handle in the front for easy installation and cable managing
- Cable route identification for easy management and maintenance



Technical Specifications

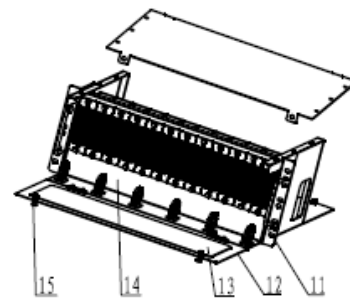
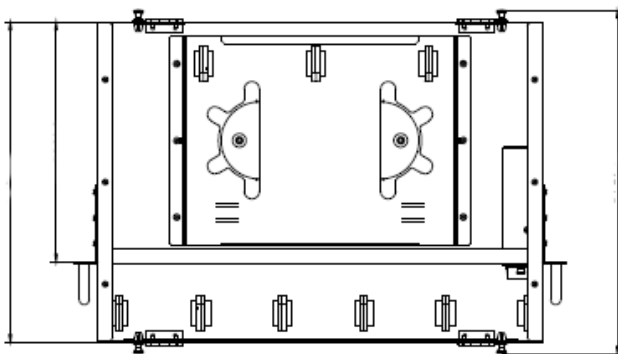
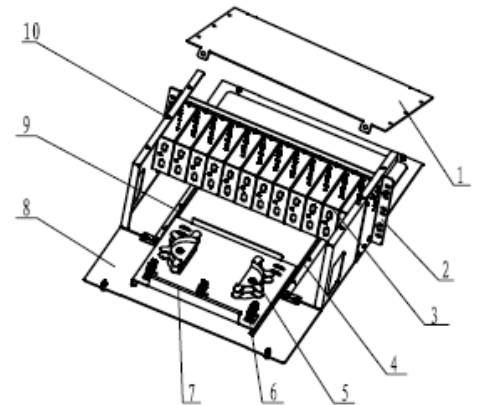
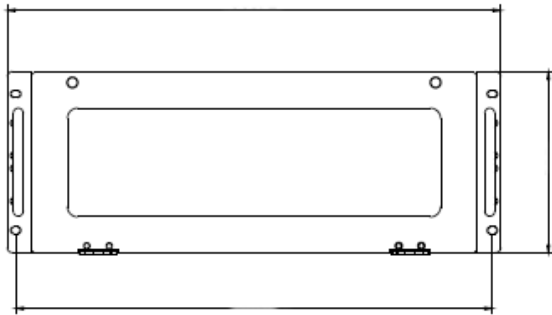
U Size	4U
Width	435mm
Depth	313mm
Net Weight	7.3kgs
Packaged Weight	2.80kgs
Packaged Dimensions	435(w) * 55(h) * 260(d) mm
IP Rating	20
Cable Entries	Open rear
Mounting Adjustment Range	50mm
Material	1.2mm Cold Rolled Steel
Material Coating	Powder
Colour	RAL 9004
Operating Temperature	-40°C to +50°C
Accordance	TIA/EIA 568.C, ISO/IEC 11801, ENS50173, IEC60304, IEC61754, EN297-1
Compliant	RoHS, Reach/SVHC



Fibre Management

4U LGX Modular Patch Panel Chassis

Technical Drawings



Ordering Information

Part number	Description
4ULGXPPCHASSIS	4U LGX Patch Panel Chassis Empty

For any queries, please contact the Linxcom team using the details below.