



Fibre Management

1U LGX Modular Patch Panel Chassis



Linxcom 1U LGX Modular Patch Panel Chassis is designed to mount various equipment compatible with the LGX Format such as MPO/MTP, as well as regular patching SC, LC modules.

Features & Benefits

- Holds 3 LGX cassettes
- Holds up to 76 fibres
- Designed for 19 inch cabinets and racks
- Universal modular design with snap in latch for easy installation and maintenance
- Cable route identification for easy managing and maintenance
- Made with cold-rolled steel for a sturdy and robust structure



Up to 72
Fibres



IP20
Rated



Rack
Mountable

Technical Specifications

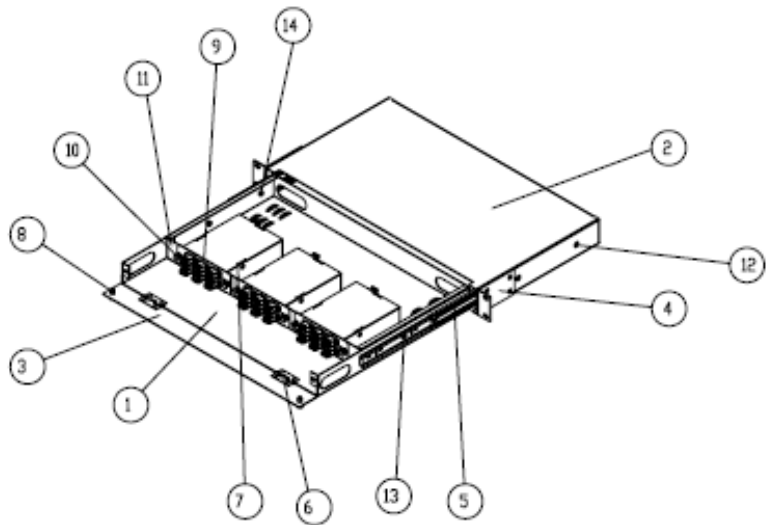
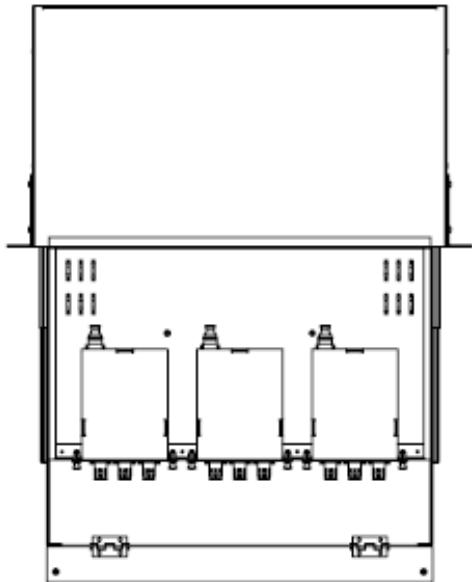
U Size	1U
Width	483mm
Depth	395mm
IP Rating	20
Cable Entries	2
Mounting Adjustment Range	50mm
Material	1.2mm Cold Rolled Steel
Material Coating	Powder
Colour	RAL 9004
Operating Temperature	-40°C to +50°C
Accordance	TIA/EIA 568.C, ISO/IEC 11801, ENS50173, IEC60304, IEC61754, EN297-1
Compliant	RoHS, Reach/SVHC



Fibre Management

1U LGX Modular Patch Panel Chassis

Technical Drawings



Ordering Information

Product Code	Description
1ULGXPPCHASSIS	1U LGX Modular Patch Panel Chassis

For any queries, please contact the Linxcom team using the details below.