



Cabinets & Racks

Wall-Mounted Cabinet – Model U

Linxcom 19" wall-mounted cabinets and racks are a cost-effective solution that is both aesthetically pleasing and durable. Designed to be installed in data centres, equipment rooms and office environments to mount telecommunication, data communication, security, broadcasting and other electronic equipment.

Features & Benefits

- Double or single section
- Available in a variety of heights and depths
- Available in grey or black – more colours available
- Tempered glass 200° swing front door with lock
- Feet and castors can be provided for floor-standing option
- Adjustable Front and rear mounting rails
- Available flat-packed or ready built
- Rear accessible even when wall-mounted
- 540mm wide body
- Quick removable side doors, optional key locks if required
- Tool-free changing of door orientation
- Vented top and bottom panels
- Maximum 50kgs UDL loading capacity
- Compatible with various 19" accessories



50kgs UDL
Capacity



30 Minute
Assembly



Available
Ready-Built



1 Person
Assembly



Available
Flat-Packed



IP Rating
Available

Below we have our standard stock sizes for height, widths and depths, but we also offer custom-built cabinets. If you require a specification which is not specified, then contact us and we can assist you.



Cabinets & Racks

Wall-Mounted Cabinet – Model U

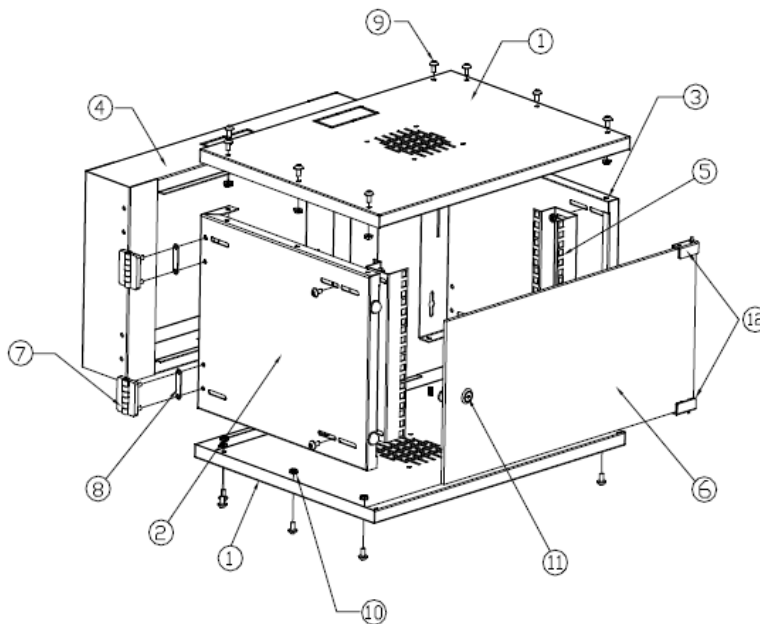
Available Configurations

Capacity (U)	Height (mm)	Widths (mm)	Depths (mm)	Colours
4	255	540	450 (Single Section) 550 (Double Section)	Black, Grey
6	312	540	450 (Single Section) 550 (Double Section)	Black, Grey
9	446	540	450 (Single Section) 550 (Double Section)	Black, Grey
12	580	540	450 (Single Section) 550 (Double Section)	Black, Grey
15	715	540	450 (Single Section) 550 (Double Section)	Black, Grey

Technical Specifications

Part	Material	Surface
Frame	SPCC Cold-Rolled Steel 1.2mm	Powder Coated/Vented Front & Sides
Side Panel	SPCC Cold-Rolled Steel 1.2mm	Powder Coated
Front Door	Toughened Glass 5mm	
Rail	SPCC Cold-Rolled Steel 1.2mm	Powder Coated/Vented (Optional)

Technical Drawings

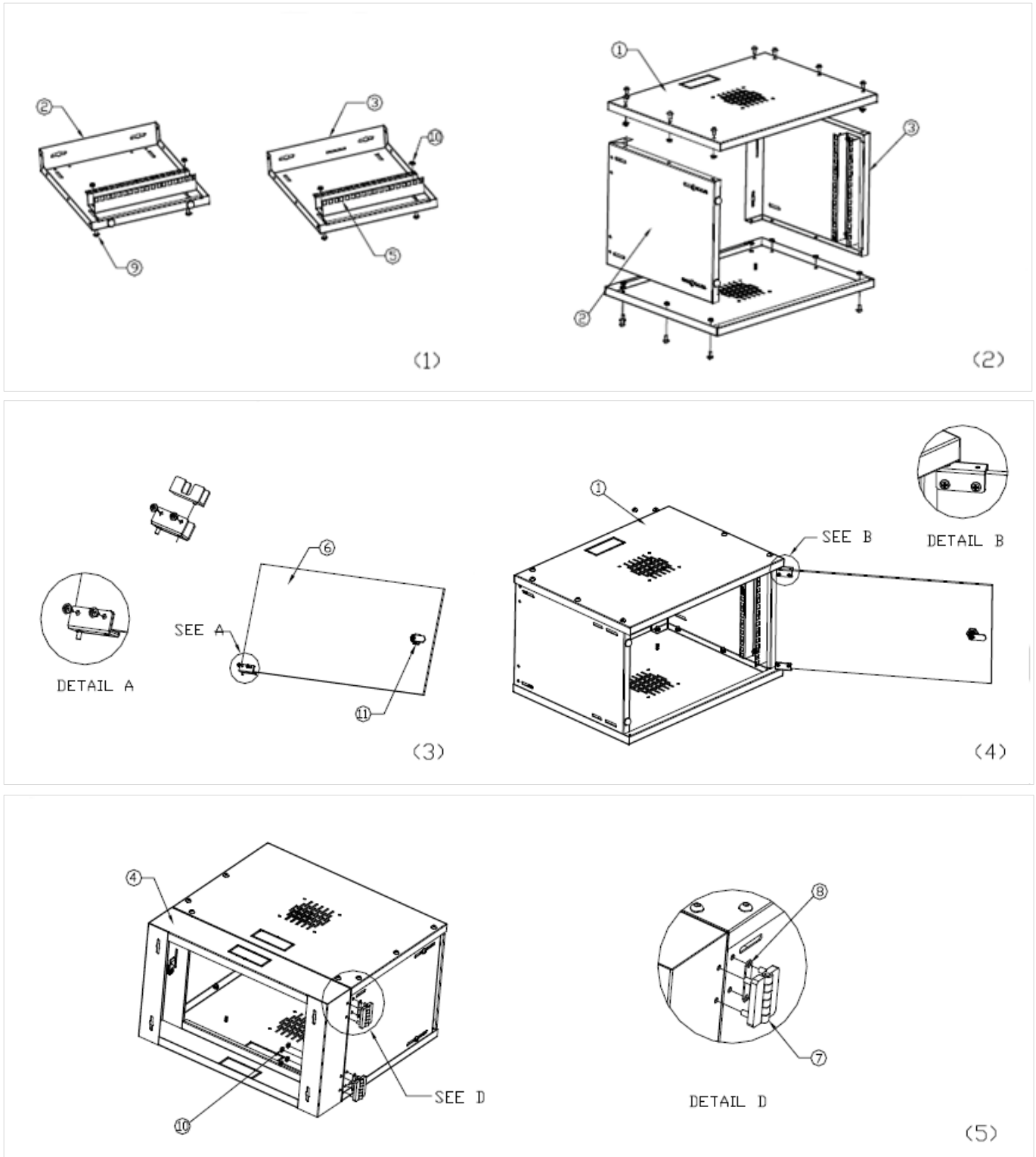


1	Top Cover
2	Left Panel
3	Right Panel
4	Rear Frame
5	Rail
6	Glass Door
7	Hinge
8	Gasket
9	Hexagon Socket Button Head Screw
10	Hexagon Nuts with Flange
11	Lock
12	Glass Clamp



Cabinets & Racks

Wall-Mounted Cabinet – Model U





Cabinets & Racks

Wall-Mounted Cabinet – Model U

Ordering Information

Using the available configurations amend/create product codes using the formula below.

Linxcom		Colour		Depth	
Linxcom	LXM	Black	BLK	450mm	4
		Grey	GRY	(Single Section)	
				550mm	5
				(Double Section)	
LXM	U	BLK	5	5	06
Model		Width		U Capacity (Height)	
Model U	U	540mm	5	15U (715mm)	15
				12U (580mm)	12
				9U (446mm)	09
				6U (312mm)	06
				4U (225mm)	04

Example: **LXMUBLK5506** - Linxcom Model U 6U 540*550mm Black Double-section Wall Cabinet

For any queries, please contact the Linxcom team using the details below.