



Fibre Optic Active

Media Converters - Single Fibre To 1x RJ45 - 10/100/1000M



Single Fibre to RJ45 Media Converters are similar in application to dual fibre media converters. Alternatively they utilise WDM (Wavelength Division Multiplexing) technology by transmitting and receiving signals at different wavelengths through the same fibre. Single fibre media converters are a cost-effective solution and allow the use of less fibres and a tidier installation.

Features & Benefits

- Built-in 2 port switch which supports flow and bandwidth control
- Half duplex bi-directional fibre utilises WDM to transmit and receive through the same fibre
- Card-type and media racks available
- Transmission distances from 550m to 120km
- Built-in RAM for data buffer
- Compliant to IEEE 802.3*, FCC and CE standards
- Available with internal or external power supply
- Up to 1.4Gbps data rate

Technical Specifications

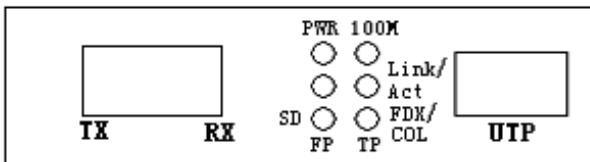
Cable	SM or MM Fibre/Twisted Pair
Transmission Type	10/100/1000M HDX
Wavelength (nm)	850~1625
Bandwidth	1.4Gbps
Data Buffer	2Mb
Distance	550m~120km
Warranty	≤3 years
Conformity	FCC, IEEE 802.3*, CE
Operating Temperature	0 to +70
Weight (kg)	0.2 (External Power), 0.4 (Internal Power)
Dimensions (External Power) (mm)	95(L) * 70(W) * 26(H)
Dimensions (Internal Power) (mm)	140(L)* 110(W) * 30(H)
Power Consumption	3.5W
Operating Humidity (%)	5 - 90
Power External	DC5V 2A
LED indicator	POWER(power supply) FX Link/ACT (fibre link/action) TX Link/ACT(RJ45 link/action) 100M, SD
Error Rate	< 10 ⁻⁹
Transmission Distance(km)	Multi-mode Dual-fibre 2 Single-mode Dual-fibre 20/40/60/80/120
(m)	Category-5 twisted pair 100
Port	RJ-45 Port: Connecting with STP/UTP category 5 twisted pair Optical Port: SC ST FC
Conversion means	Media conversion, store-and-forward



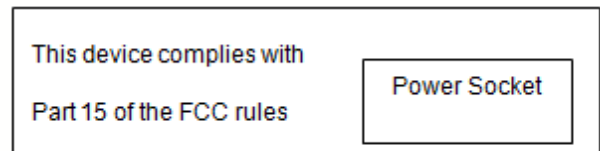
Fibre Optic Active

Media Converters - Single Fibre To 1x RJ45 - 10/100/1000M

Technical drawings



Picture1.Front View



Media Converter 1
Picture2.Back View

LED Function Description

LED indicator lamp	Status	Description
PWR	On	When power supply is normal
	Off	When power supply fail
100M	On	When TP Port Link speed is 100M
	Off	When TP Port Link speed is 10M
TX Link/Act	On	Connection status display for electric link. "ON" indicates that electric link is in correct connection.
	Blink	Active status display of electric link "Blink" indicates data transmitting
FX Link/Act	On	Connection status display for fibre link "ON" indicates that electric link is in correct connection.
	Blink	Active status display of fibre link "Blink" indicates data transmitting
FDX/Col	On	Fibre port works in the full duplex mode.
	Off	Fibre port works in the half duplex mode.
SD	On	Fibre signal is detected
	Off	Fibre signal not detected

Power Supplies



External power Supply



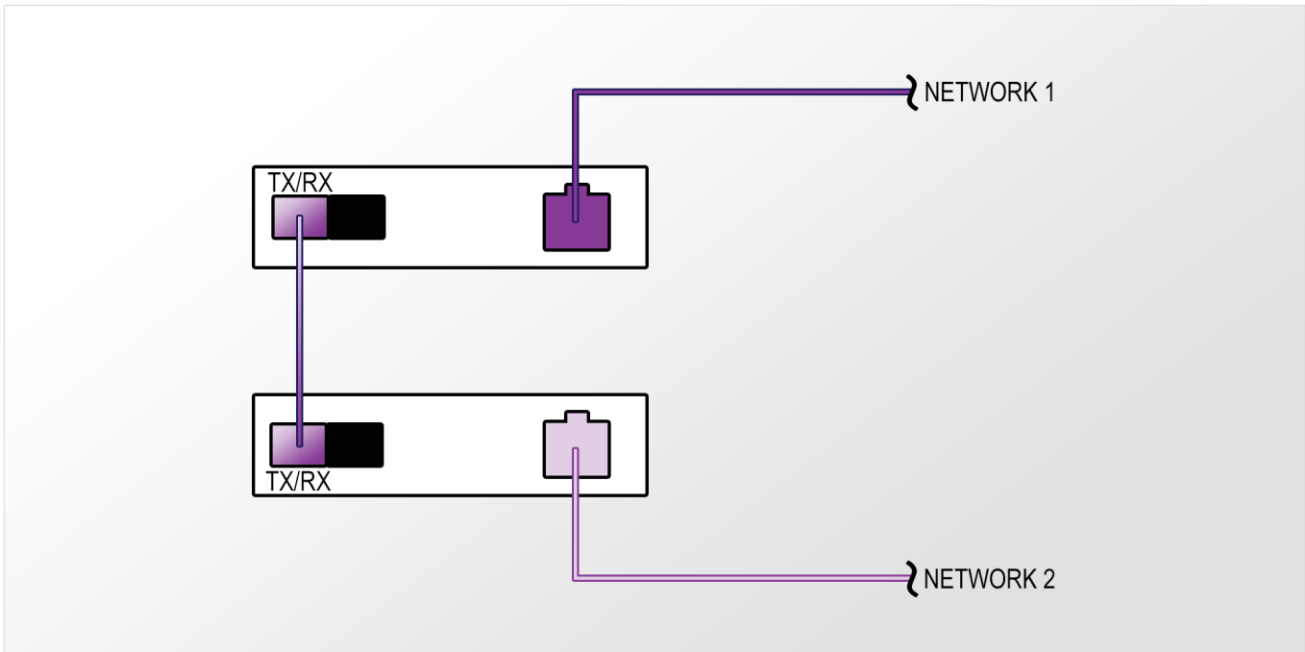
Internal power Supply



Fibre Optic Active

Media Converters - Single Fibre To 1x RJ45 - 10/100/1000M

Network Structure



Ordering Information

Use the formula below to create the part number.

Transmission Type		Fibre Connector Type		Distance	
10/100/1000M	GBSMC	Singlemode / SC	SMSC	550m (Multimode Only)	550
		Singlemode / ST	SMST	20km	20
		Singlemode / FC	SMFC	40km	40
		Singlemode / LC	SMLC	60km	60
		Multimode / SC	MMSC	80km	80
		Multimode / ST	MMST	100km	100
		Multimode / FC	MMFC	120km	120
		Multimode / LC	MMLC		
GBSMC	IP	MMFC	1R	550	EU
Power Supply		Copper Connector Type		Plug Type	
External Power	EP	Single RJ45	1R	UK	UK
Internal Power	IP			European	EU
				US	US

Example: **GBSMCIPMMFC1R550EU** - 10/100/1000M Multimode 550m Single Fibre FC to Single RJ45 Media Converter with EU Internal Power Supply